



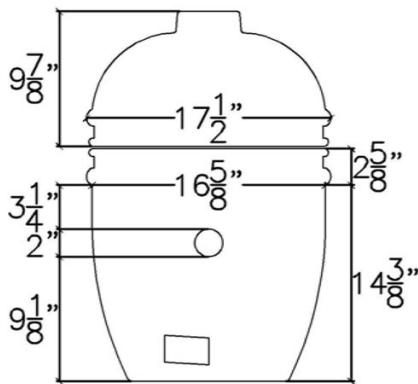
Grill Specs.

15"

177 sq.in. Primary Cooking Area
 290 sq.in. Cooking Area w/ Accessories
 110 lbs. Weight of Grill in Box (No Cart)
 21"x 21"x 28.5"H Grill Box Size

Grill Hole Cut-out Size for Table Top

17 1/4" for wood/combustible top
 17" for non-combustible top

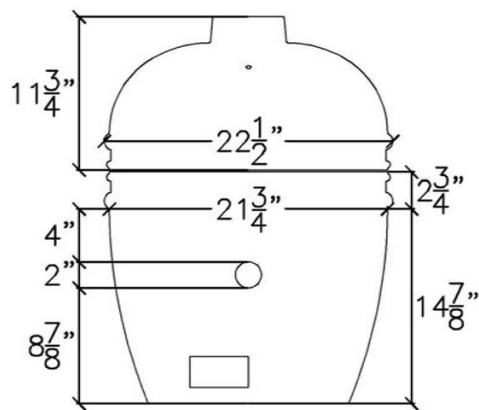


19"

283 sq.in. Primary Cooking Area
 464 sq.in. Cooking Area w/ Accessories
 180 lbs. Weight of Grill in Box (No Cart)
 27"x 27"x 34.5"H Grill Box Size
 Granite Table Top Size: 56" x 30"

Grill Hole Cut-out Size for Table Top

22 1/2" for wood/combustible top
 22 1/4" for non-combustible top

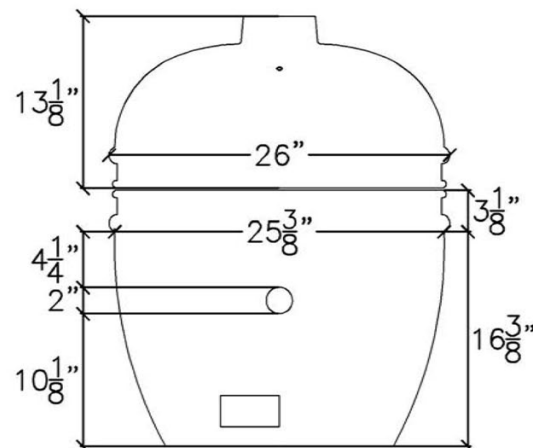


23"

397 sq.in. Primary Cooking Area
 1059 sq.in. Cooking Area w/ Accessories
 280 lbs. Weight of Grill in Box (No Cart)
 37.5"x 28.75"x 37.5"H Grill Box Size
 Granite Table Top Size: 56" x 34 1/4"

Grill Hole Cut-out Size for Table Top

26" for wood/combustible top
 25 3/4" for non-combustible top



SAFFIRE GRILL CO.

1102 10th Street
 Rockford, IL 61104
 815-967-4100

contact@SaffireBBQ.com
 www.SaffireBBQ.com