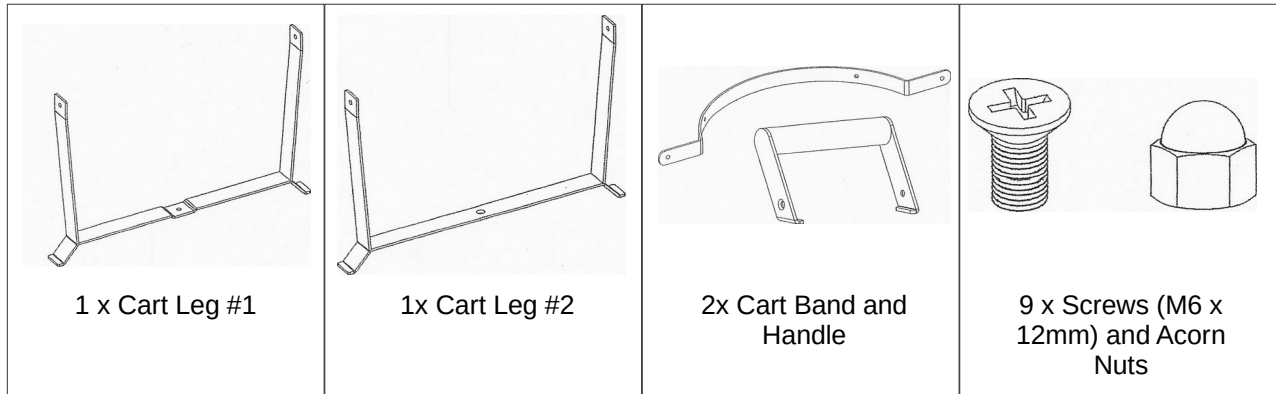


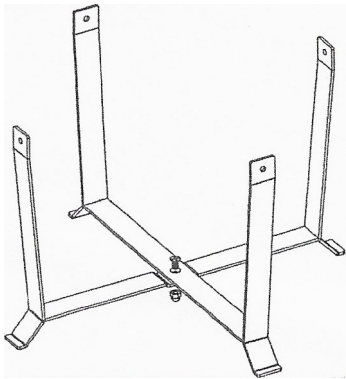
13" Small Saffire Grill Cart Assembly

Parts Included



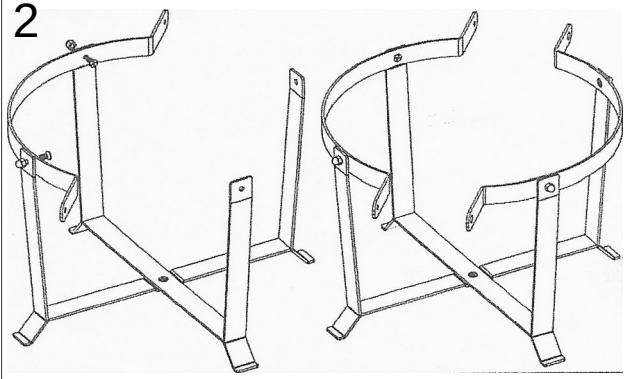
Instructions

1



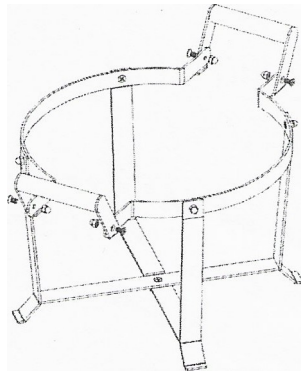
Cross the two cart legs, with leg #2 above the other. Insert the screw from the top, and tighten the acorn nut on the bottom by hand.

2



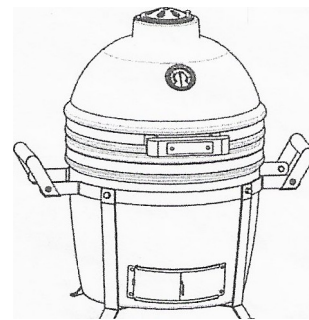
Insert two screws to attach one cart band to the legs. Insert the screws from the inside of the cart, and tighten the acorn nuts on the outside by hand. Repeat this step to attach the other band.

3



Attach the two handles to the cart using a screwdriver. Then tighten all of the nuts with the included wrench.

4



Remove all internal parts from grill and set aside. Open the bottom ash vent. Lift the grill, holding onto the hinge and the inside of the ash vent (caution, sharp edges), and place in the cart. Finally, put chimney cap on, over gasket.